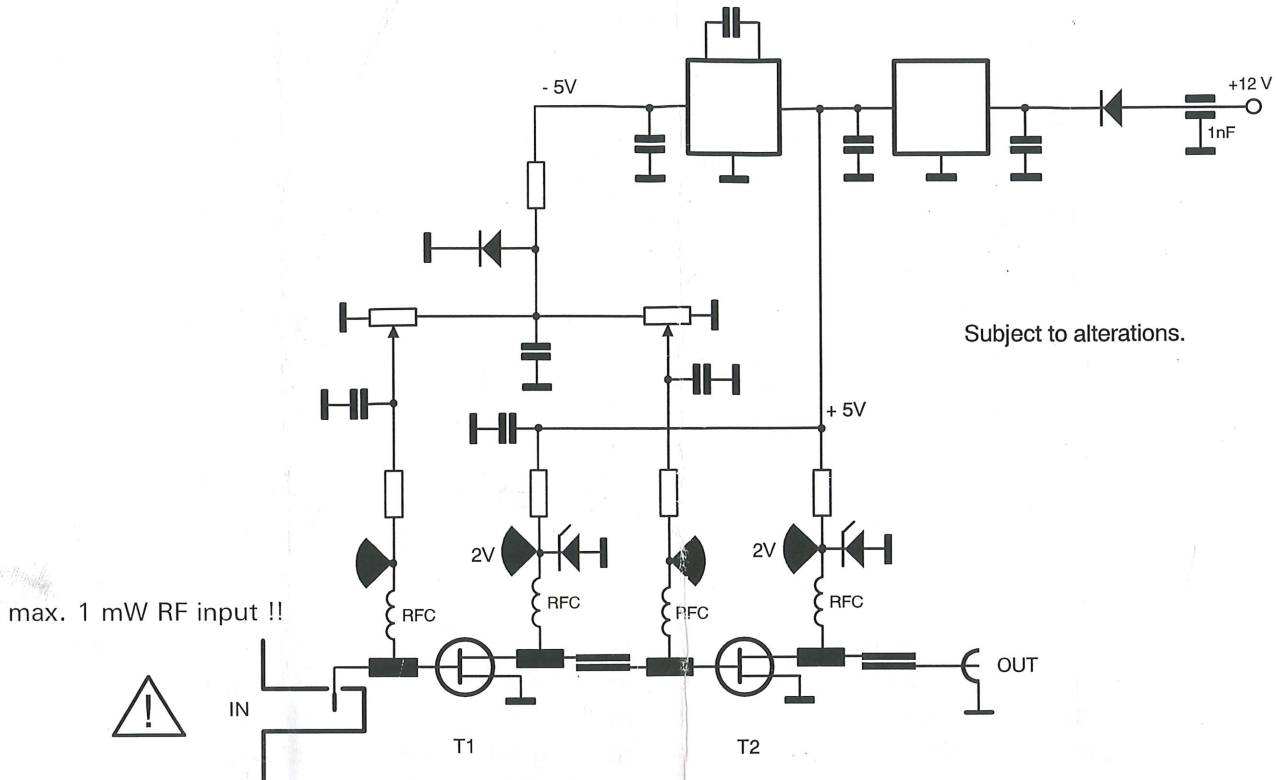


# X - BAND SUPER-LOW-NOISE AMPLIFIER MKU LNA 102 S EME

Product information

5  
HEX

QS



Please don't touch the waveguide probe, and avoid every movement!  
Additional protection against moisture is essential if the module is to be operated close to, or at the antenna. **Installation in a waterproof case is suggested!**

## Test certificate

Adjustment and measurement frequency: 10368 MHz

Noise Figure NF: 0.7 dB at 18°C. Gain: 26 dB

Operating voltage: +9...15V DC. Current approx.: 30mA

Products are only to be sold to processing companies or radio amateurs with a licence.  
For operating high frequency modules legal instructions must be followed.