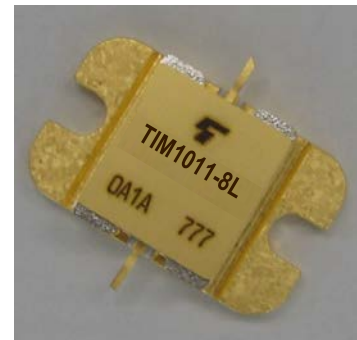


FEATURES

- BROAD BAND INTERNALLY MATCHED FET
- HIGH POWER
P1dB= 39.5dBm at 10.7GHz to 11.7GHz
- HIGH GAIN
G1dB= 6.0dB at 10.7GHz to 11.7GHz
- LOW INTERMODULATION DISTORTION
IM3= -45dBc at Pout= 28.0dBm
Single Carrier Level
- HERMETICALLY SEALED PACKAGE



RF PERFORMANCE SPECIFICATIONS (Ta= 25°C)

| CHARACTERISTICS | SYMBOL | CONDITIONS | UNIT | MIN. | TYP. | MAX. |
|--|--------|--|------|------|------|------|
| Output Power at 1dB Gain Compression Point | P1dB | VDS= 9V IDSset= 4.0A f = 10.7 to 11.7GHz | dBm | 38.5 | 39.5 | — |
| Power Gain at 1dB Gain Compression Point | G1dB | | dB | 5.0 | 6.0 | — |
| Drain Current | IDS1 | | A | — | 3.4 | 4.4 |
| Gain Flatness | ΔG | | dB | — | — | ±0.8 |
| Power Added Efficiency | ηadd | | % | — | 22 | — |
| 3rd Order Intermodulation Distortion | IM3 | Two Tone Test Po= 28.0dBm, Δf= 5MHz (Single Carrier Level) | dBc | -42 | -45 | — |
| Drain Current | IDS2 | | A | — | 3.4 | 4.4 |
| Channel Temperature Rise | ΔTch | (VDS X IDS + Pin – P1dB) X Rth(c-c) | °C | — | — | 80 |

Recommended Gate Resistance(Rg): 100 Ω

ELECTRICAL CHARACTERISTICS (Ta= 25°C)

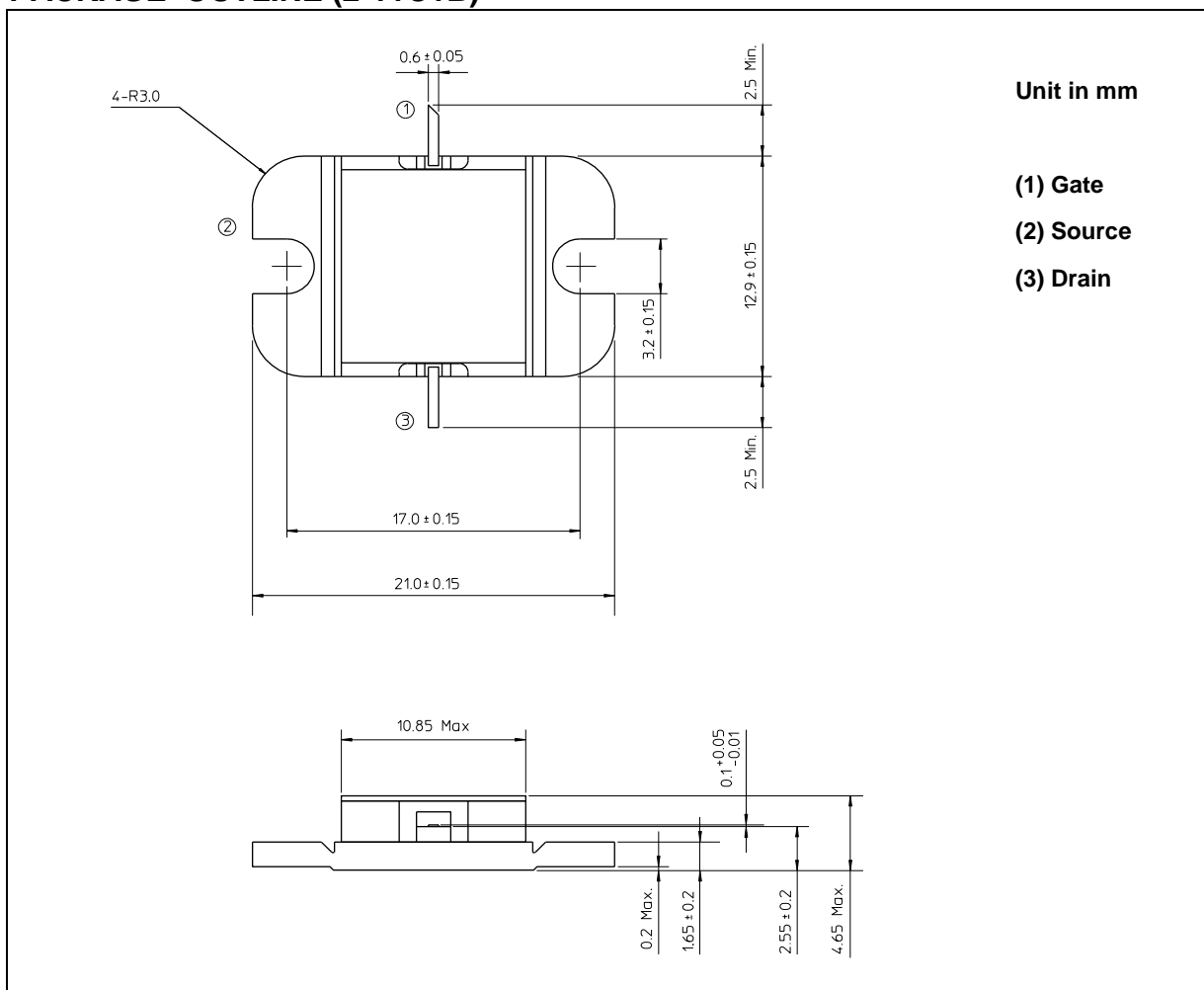
| CHARACTERISTICS | SYMBOL | CONDITIONS | UNIT | MIN. | TYP. | MAX. |
|-------------------------------|----------|-----------------------|------|------|------|------|
| Transconductance | gm | VDS= 3V IDS= 4.0A | S | — | 2.4 | — |
| Pinch-off Voltage | VGSoff | VDS= 3V IDS= 120mA | V | -2.0 | -3.5 | -5.0 |
| Saturated Drain Current | IDSS | VDS= 3V VGS= 0V | A | — | 8.0 | — |
| Gate-Source Breakdown Voltage | VGSO | IGS= -120μA | V | -5 | — | — |
| Thermal Resistance | Rth(c-c) | Channel to Case | °C/W | — | 1.6 | 2.5 |

- ◆ The information contained herein is presented as guidance for product use. No responsibility is assumed by TOSHIBA for any infringement of patents or any other intellectual property rights of third parties that may result from the use of product. No license to any intellectual property right is granted by this document. The information contained herein is subject to change without prior notice. It is advisable to contact TOSHIBA before proceeding with design of equipment incorporating this product.

ABSOLUTE MAXIMUM RATINGS (Ta= 25°C)

| CHARACTERISTICS | SYMBOL | UNIT | RATING |
|------------------------------------|--------|------|-------------|
| Drain-Source Voltage | VDS | V | 15 |
| Gate-Source Voltage | VGS | V | -5 |
| Drain Current | IDS | A | 10.4 |
| Total Power Dissipation (Tc= 25°C) | PT | W | 60 |
| Channel Temperature | Tch | °C | 175 |
| Storage | Tstg | °C | -65 to +175 |

PACKAGE OUTLINE (2-11C1B)

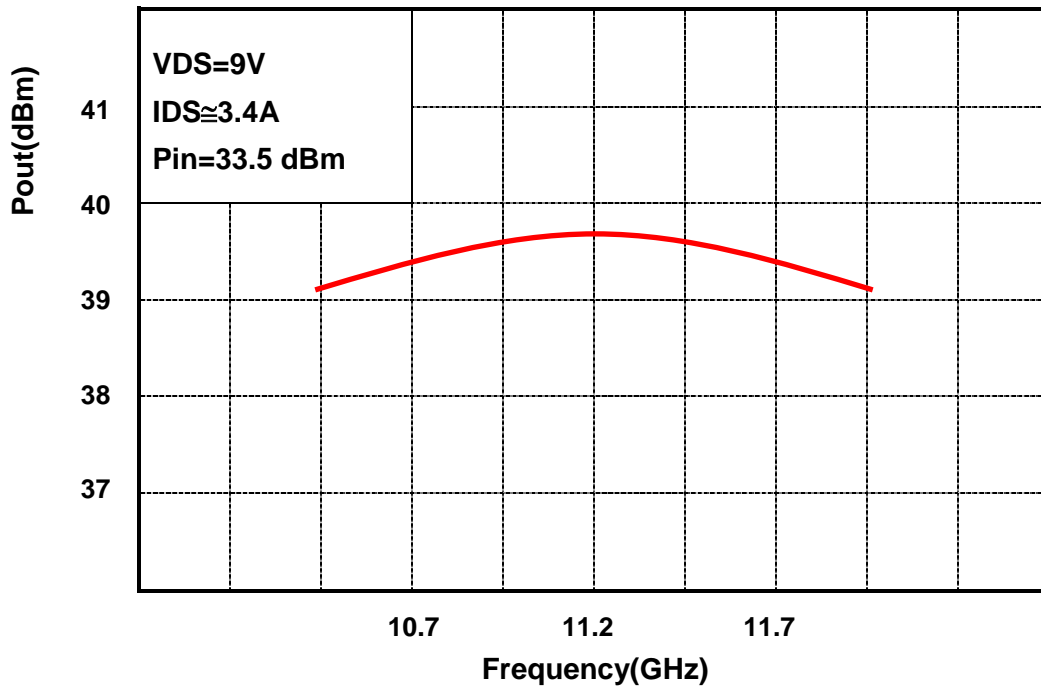


HANDLING PRECAUTIONS FOR PACKAGE MODEL

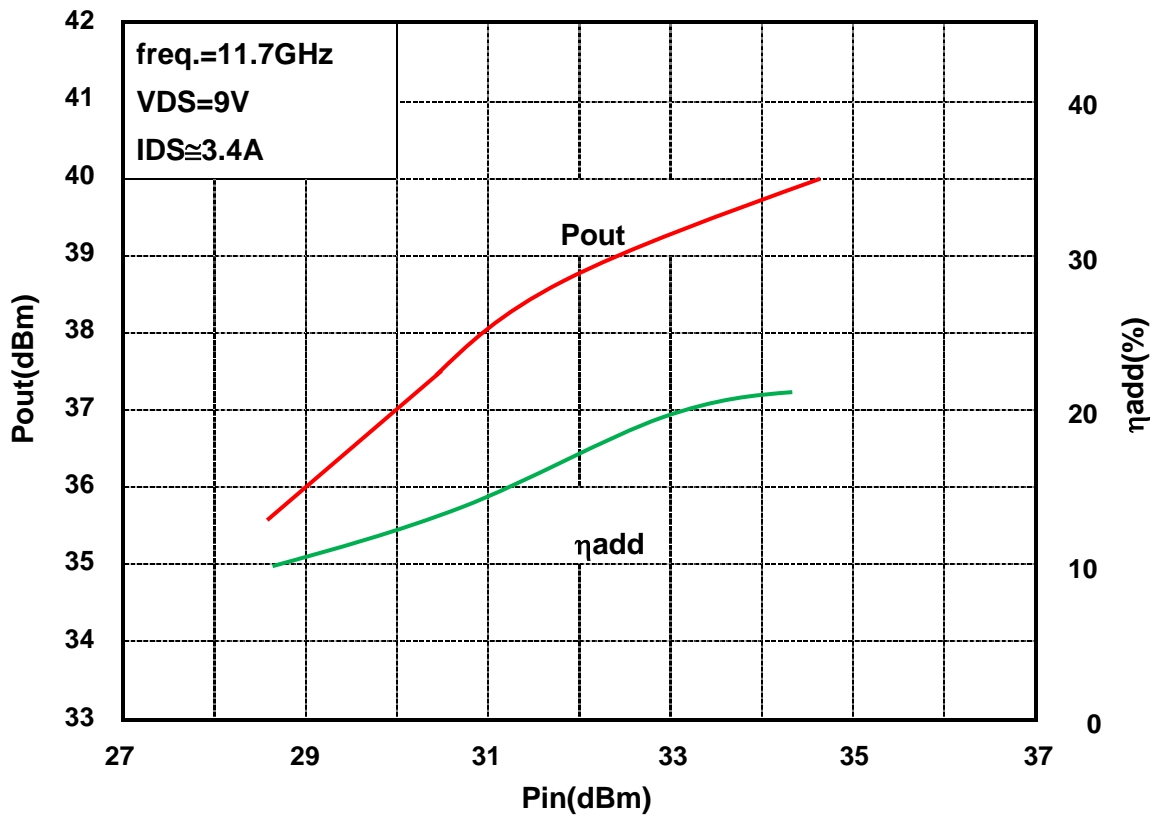
Soldering iron should be grounded and the operating time should not exceed 10 seconds at 260°C or 3 seconds at 350°C.

RF PERFORMANCE

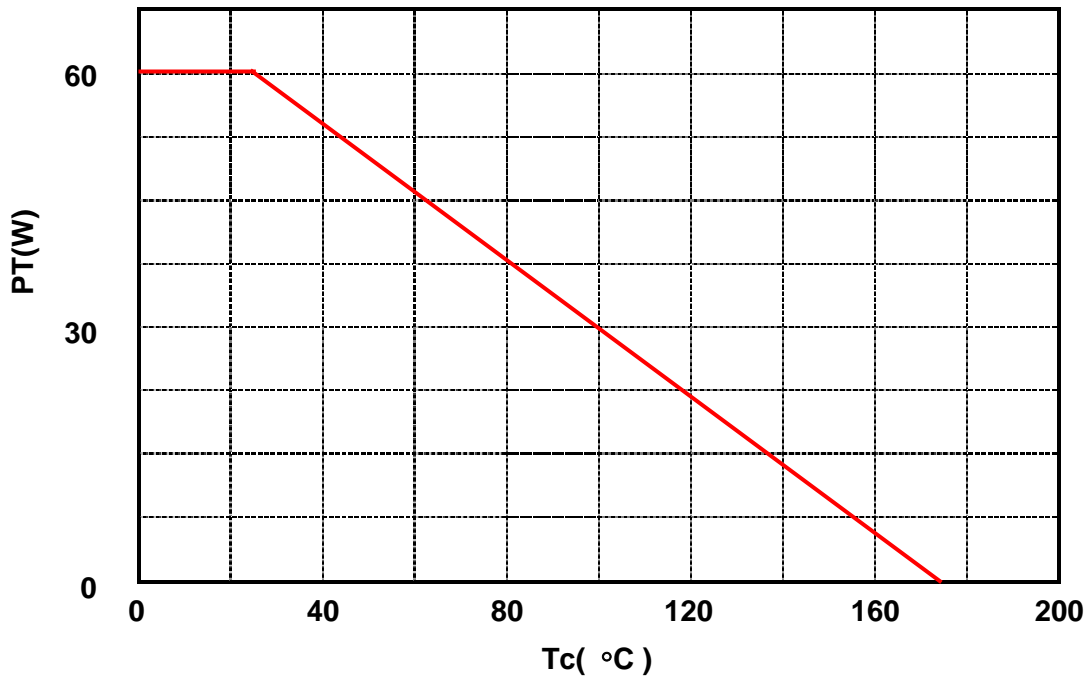
Output Power (Pout) vs. Frequency



Output Power(Pout) vs. Input Power(Pin)



Power Dissipation(PT) vs. Case Temperature(Tc)



IM3 vs. Output Power Characteristics

