

NEO7N

SMART



65 x 65 x 30 mm

Product Description

The NEO-7N GPS Smart Board makes evaluating the high performance of u-blox 7 positioning technology simple.

The built-in USB interface provides both power supply and high-speed data transfer, and eliminates the need for an external power supply. The Smart Board can be used with a PDA or a notebook PC, making them the perfect companion through all stages of design-in.

Features

- Mini-USB for a easy connection to a PC
- 16-pin connector to provide a standard RS232 , TTL, I2C & SPI interface
- LED to indicate GNSS operation
- MCX-F Switch Connector for external antenna

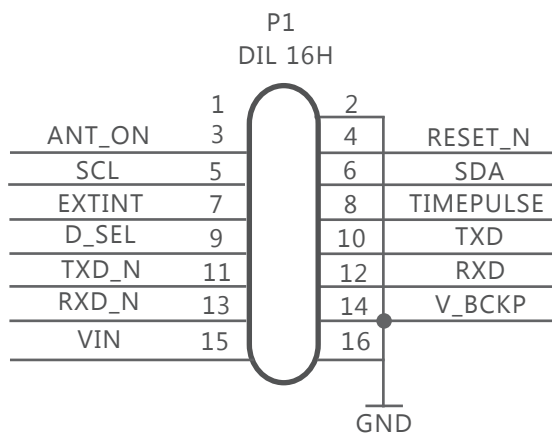
Highlights

- Powered by u-blox NEO-7N GPS module
- Extensive visualisation & evaluation features
- Supports AssistNow Online & AssistNow Offline A-GPS Services
- All ports accessible outside
- USB (v2.0 compatible) available for power supply and Data Transfer
- Easy to use

Optional

The unit is supplied standard with an internal Chip GPS Antenna and MCX-F switch connector allowing the use of an external Active GPS Antenna. Optionally the internal Chip GPS antenna can be replaced with a 25mm GPS Patch antenna on request.

Pinout for the 16-Way connector on the NEO-7N Smart board



System Requirements

- PC with USB Interface
- Operating System: Windows 8 (Intel Version Platform) / Windows 7 / Vista / XP
- USB Drivers are provided with the NEO-7N GPS Smart Board

u-center GPS/GNSS evaluation software

NEO-7N Installer includes u-center, which is an interactive tool for configuration, testing, visualization and data analysis of positioning chips and modules. u-center provides useful assistance during all phases of a system integration project.